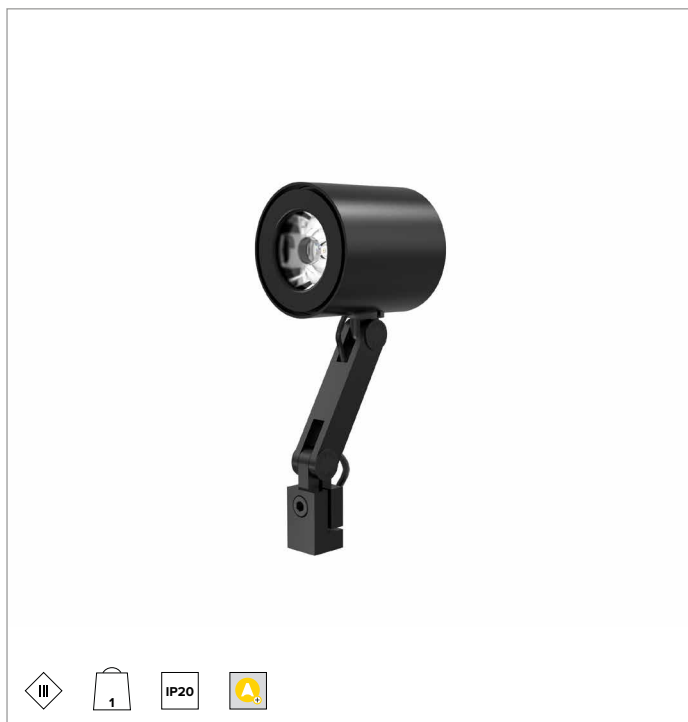
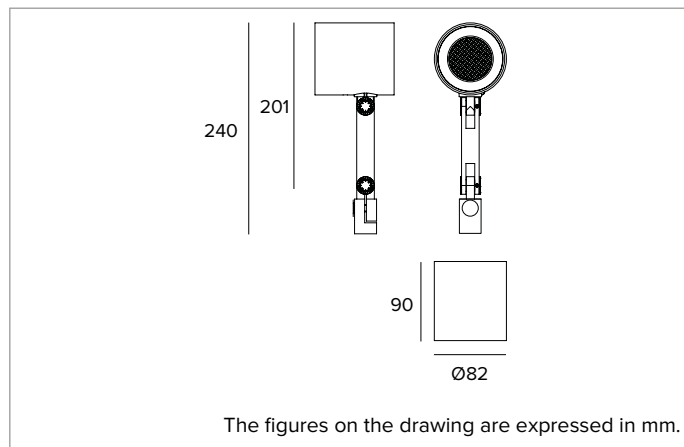


T044MFL930DB | CORO 80

Professional adjustable LED projector for wall or cornice installation with a fixed light beam opening



		3000K	H(m)	D(m)	Emax(lx)
		Ra90		24°	
Fixture Power	25W	1	0.42	10828	
Source Flux	2970lm	2	0.84	2707	
Fixture Flux	2318lm	3	1.25	1203	
Efficacy	91lm/W	4	1.67	677	
TS2022	Imax=3646cd/klm	Imax	10828cd	5	2.09
					433



SOURCE

High efficiency Chip on Board LED Ra90.

Energy efficiency class: D

Nominal power: 25W

Nominal flux: 2970lm

Colour rendering index: 90

Rf: 92

Rg: 101

CCT nominal: 3000K

Lifetime (L80/B10): >50000h tq +25°C

ILLUMINOTECHNICAL CHARACTERISTICS

Optical systems with a fixed light beam opening: optical grade PMMA TIR lenses. Interchangeable lenses available as accessories (excluding the Narrow Spot optic).

Optic: LENS

Beam angles: FL (24°)

Optical efficiency: 78%

Fixture flux: 2318lm

Luminous efficacy: 91lm/W

Photobiological safety: Compliant with RG1 low risk group

MECHANICAL CHARACTERISTICS

Painted aluminium body, front ring and joints. Passive heat sink cooling system. Optical unit adjustability: +/-165° on the horizontal plane and 180° on the vertical plane with the possibility of mechanical aiming locking through single knob for both aiming locks. Articulated arm adjustable of 180° on the vertical plane. Graduated references at the articulated joints.

Colour and finish: Deep black

Weight: 1Kg

Version: LONG ARM

Degree of protection: IP20

ELECTRICAL CHARACTERISTICS

To be completed with driver available in electronic ON-OFF,dimmable DALI and Casambi control system versions.

Fixture Power: 25W

Power supply: 700mA

Insulation Class: CLASS 3

Driver included: NO

Class F: YES

Ambient temperature: 0°C / +25°C

INSTALLATION

To be completed with one of the dedicated installation systems: base for surface mounting, housing base with integrated driver, installation channel.

NOTES

Values related to the power consumption of the fixture do not take into account the consumption of the accessory driver, which depends on the choice of driver. Commissioning of the control system via free APP; the intervention of a specialist technician can be quoted on request.

WARRANTY

5 years.

Due to the technological evolution of the electronic components, the data provided may be updated, and as such, confirmation must be requested during the order process.

Luminous flux and power supply have +/-10% tolerances with respect to the indicated value. tq +25°C (CIE 121).

We reserve the right to make technical changes.

Targetti Sankey S.r.l.
Via Pratese, 164
50145 Firenze - Italy
Tel: +39 055 37911
targetti.com
targetti@targetti.com

CCIAA Firenze
Share Capital:
€ 500.000,00
VAT N. (IT):
01537660480
R.E.A: FI-275656

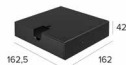
TARGETTI

T044MFL930DB | CORO 80

Professional adjustable LED projector for wall or cornice installation with a fixed light beam opening

Related codes

Mounting System



Power supply	Output current	Driver	Colour	Code
220-240Vac	700mA	ON-OFF	●	A074ELDB
220-240Vac	700mA	DALI	●	A074DADB
220-240Vac	700mA	CASAMBI	●	A074CADB

Surface mounting base with integrated driver.

Power Supply

Dimensions LxHxP mm	Power	Power supply	Output current	IP	Code
146x30x44	max 38W	220-240Vac	700mA	IP20	1T9637DA

DALI power supply.

Dimensions LxHxP mm	Power	Power supply	Output current	IP	Code
146x22x44	max 31W	220-240Vac	700mA	IP20	1T9637EL

Electronic ON-OFF power supply.

Mounting System



Colour	Code
●	A071DB

Surface mounting base.



Colour	Code
●	A072DB

Surface mounting channel 900mm.
The channel can be cut to length at intervals of 10cm.
With three mounting bases for Coro "80" and "120".

Accessories

Filter



Ø mm	Code
50	1T4721

PMMA holographic filter with blade effect to ovalize the light beam; more evident when combined with spot and flood optics.
No for DBS version.

Screen



Ø mm	Code
50	1T4325

Black painted anodized diffusive aluminium asymmetric screen.
Complete with blade light filter.
Ideal for a Wall Washer effect.
To be combined with spot and flood optics.
No for DBS version.

Due to the technological evolution of the electronic components, the data provided may be updated, and as such, confirmation must be requested during the order process.
Luminous flux and power supply have +/-10% tolerances with respect to the indicated value. tq +25°C (CIE 121).

We reserve the right to make technical changes.

Targetti Sankey S.r.l.
Via Pratese, 164
50145 Firenze - Italy
Tel: +39 055 37911
targetti.com
targetti@targetti.com

CCIAA Firenze
Share Capital:
€ 500.000,00
VAT N. (IT):
01537660480
R.E.A: FI-275656

TARGETTI

T044MFL930DB | CORO 80

Professional adjustable LED projector for wall or cornice installation with a fixed light beam opening

Grid



Ø mm	Code
50	1T4322

Anti-glare louver.
Black painted metal honeycomb structure.
Complete with holographic diffusion filter.
No for DBS version.

Zoom



Ø mm	Code
50	1T4324

Zoom.
Optical system consists of an optical glass flat convex lens, an anodized aluminium specular reflector and a diffusive holographic filter.
To be used after removing the existing optic.
It makes it possible to obtain a variable beam from 15° to 60°.
Cannot be used with DBS version and NSP optics.

Optic



Ø mm	Optic	Code
50	SP 19°	A056SPL
50	FL 24°	A056MFL
50	FL 31°	A056FLL

Interchangeable optical grade PMMA lenses.
Available in Spot and Flood beams.
Not compatible with DBS version and NSP optics.

Emergency Kit



Code
A059

Emergency kit composed of an inverter a LiFePO4 battery and a LED Green indicator. Allows permanent EP emergency use of the fixture it is connected to. The 1h or 3h autonomy can be selected by configuring the fixture. The batteries take 12h to completely recharge. LED Green indicator wired to the inverter through single-core cables L= 800mm. Emergency kit for fixtures that comply with EN 60598-2-22 standard, high risk areas excluded. Battery size 160x54x30 mm. Inverter size 165x40x25 mm.

Control systems



Code
1T5349

IP20 wireless control unit with DALI interface.
It generates a local DALI2 bus, enabling a direct connection to a DALI interface LED driver.
The module can only be used in a closed system and cannot be connected to an existing DALI network.
The module is wireless controlled using a Casambi app for smartphones and tablets using Bluetooth 5.0 technology.
The devices automatically create an adaptive, robust, and reliable wireless mesh network, allowing for the easy and efficient management of a high number of fixtures.
The control unit is preset to the DALI 1CH profile, meaning the device can control a single DALI driver with broadcast commands.
In addition to the DALI broadcast, other operating modes are available, such as:

- Button (normally open)
- Control unit 0/1-10V
- Control unit DALI Tunable White DT8
- Presence sensor



Code
2T0131

IP20 Extender for wireless control of LED driver with dimming DALI (or 1-10V) interface based on Casambi technology.
It has a DALI2 output with the capacity to control up to 40 lighting fixtures. With the addition of a further external BUS DALI power supply it is possible to control up to 64 fixtures.
IP20 Extender is preset to the DALI broadcast profile, meaning all the luminaires connected to it are dimmable at the same level.
In addition to the DALI broadcast other operating modes are available, such as:

- EXTENDER DALI 8CH
- EXTENDER DALI Tunable White
- EXTENDER 0/1-10V
- EXTENDER DALI 4CH
- EXTENDER DALI DT8 Tunable White

Due to the technological evolution of the electronic components, the data provided may be updated, and as such, confirmation must be requested during the order process.
Luminous flux and power supply have +/-10% tolerances with respect to the indicated value. tq +25°C (CIE 121).

We reserve the right to make technical changes.

Targetti Sankey S.r.l.
Via Pratese, 164
50145 Firenze - Italy
Tel: +39 055 37911
targetti.com
targetti@targetti.com

CCIAA Firenze
Share Capital:
€ 500.000,00
VAT N. (IT):
01537660480
R.E.A.: FI-275656

TARGETTI